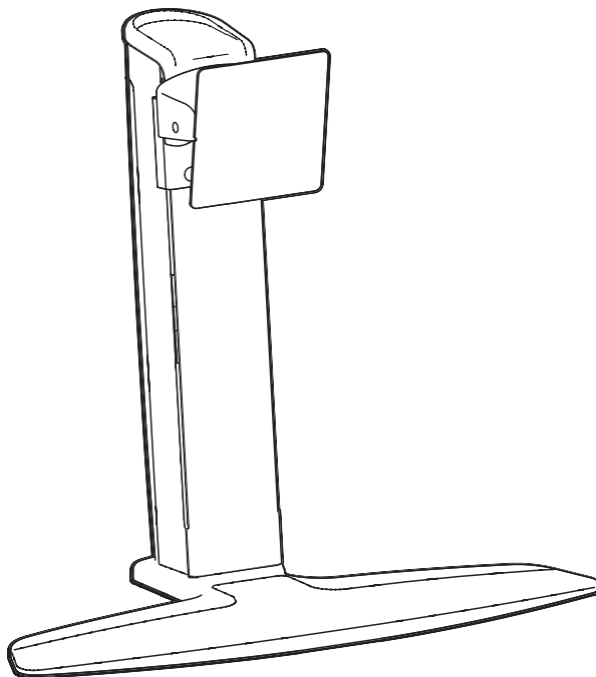


Overview

HP All-in-One Adjustable Height Stand

For Engage One Pro 23.8" All-in-One systems



Model

HP All-in-One Adjustable Height Stand Black

518U6AA

HP All-in-One Adjustable Height Stand White

518U7AA

Introduction

Optimize viewing of the Engage One Pro 23.8" All-in-One system with the HP All-in-One Adjustable Height Stand. Available in either black or white, this stand allows for height adjustment, tilt, and pan.

Key Features and Benefits

- Position All-in-One for maximum ergonomic comfort—promotes wellness in any work area
- Small footprint frees up your workspace and increases your efficiency
- Integrated base rollers enable 360° rotation of the stand so you can share your views with others
- Features technology that enables light touch adjustments without levers or knobs
- Five-inch (13 cm) height adjustment (landscape mode) ergonomically accommodates average range of users
- Easy to use—simple installation and effortless operation
- Everything is included to neatly route cables behind the stand, out of the way
- IEC 62368-1 certified

Overview

Compatibility

The HP All-in-One Adjustable Height Stands are compatible with the Engage One Pro 23.8" All-in-One system, both in portrait and landscape orientation, when an Engage One Pro VESA Mount or VESA Hub is configured on the system.

Requirements: The Engage One Pro VESA Mount or the Engage One Pro VESA Hub is required to mount the HP Engage One Pro 23.8" system onto the HP All-in-One Adjustable Height Stand. SKU options are listed below and are sold separately from the stand.

Drop-in-box SKUs (for configuration with HP Engage One Pro system)

For black systems:

- HP Engage One Pro AiO Slim VESA Mount (9UK55AV)
- HP Engage One Pro AiO VESA Hub (9UK53AV)

For white systems:

- HP Engage One Pro AiO Slim VESA Mount White (10J22AV)
- HP Engage One Pro AiO VESA Hub White (1H8A1AV)

After-market option SKUs

For black systems:

- HP Engage One Pro AiO Slim VESA Mount (1A4E7AA)
- HP Engage One Pro AiO VESA Hub (9YH42AA)

For white systems:

- HP Engage One Pro AiO Slim VESA Mount White (326R7AA)
- HP Engage One Pro AiO VESA Hub White (326R6AA)

Certifications:

- IEC 62368-1:2014
- UL 62368-1, 2nd Ed. and CAN/CSA C22.2 No. 62368-1-14, 2nd Ed.

Compliant with:

- EN 62368-1:2014/ A11:2017
- BS EN 62368-1:2014/ A11:2017

Service and Support

Three (3) year limited warranty with advance exchange when purchased from HP.

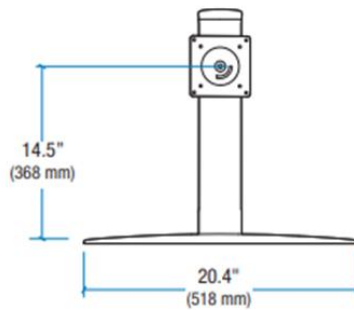
Technical Specifications

General

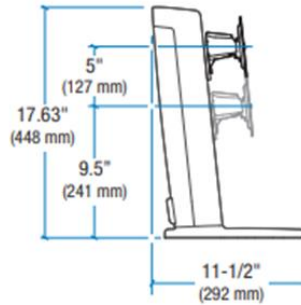
Lift (Height Adjust) in Landscape Mode	5" (13 cm)
Lift (Height Adjust) in Portrait Mode	2.5" (6.4 cm)
Weight Capacity	16-36 lb (7.3-16.3 kg)
Monitor up/down tilt	Up to +25°/ -5° (depends on the height)
Pan	360°

Mechanical

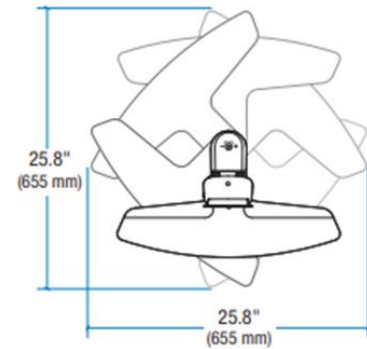
Product Weight	13.8 lb (6.2 kg)
Product Dimensions	20.4" x 11.5" x 17.6" (51.8 cm x 29.2 cm x 44.8 cm)
Shipping Weight	17.4 lb (7.9 kg)
Shipping Dimensions	23" x 13" x 7.3" (58.5 cm x 33.0 cm x 18.5 cm)



Front View



Side View



Top View

Box Contents

Base, stand, monitor mounting bracket, screws, weight adjustment tool, cable ties, quick-setup manual

Summary of Changes

Date of change:	Version History:		Description of change:
	From v1 to v2		

© Copyright 2022. HP Development Company, L.P. The information contained herein is subject to change without notice. The only warranties for HP products and services are set forth in the express warranty statements accompanying such products and services. Nothing herein should be construed as constituting an additional warranty. HP shall not be liable for technical or editorial errors or omissions contained herein.