

Overview

HP Engage Express

FRONT VIEW

Countertop

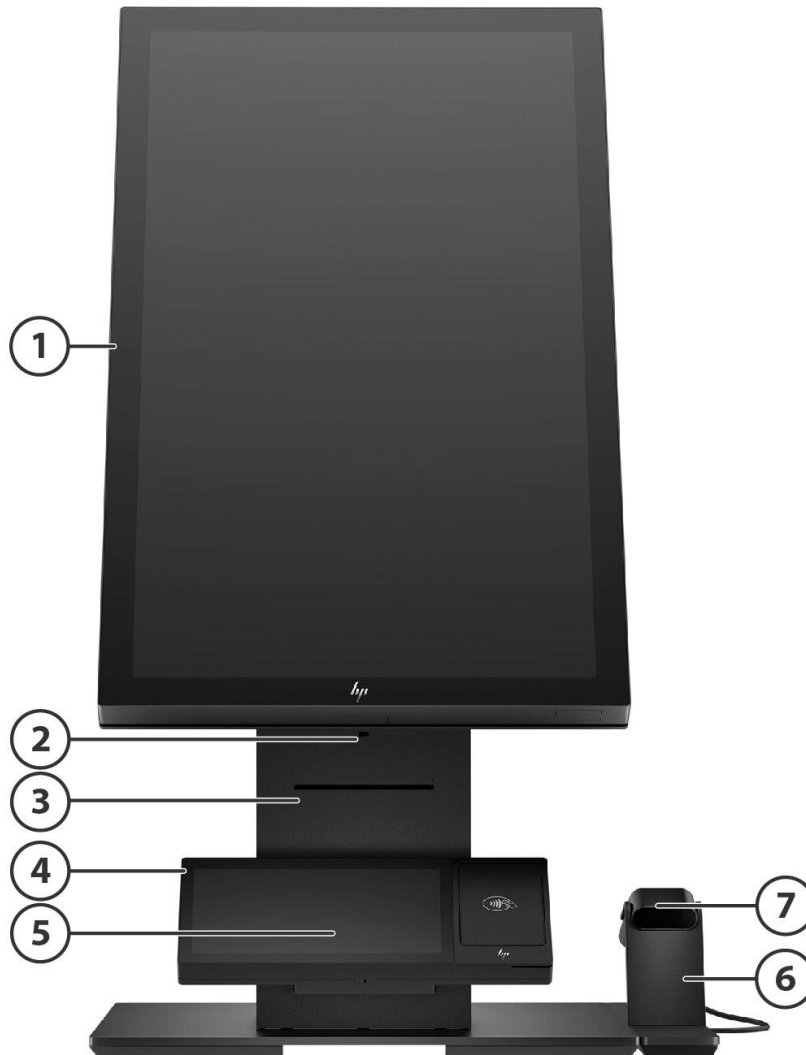


Pedestal



Overview

HP Engage Express Countertop



- | | |
|---|--|
| 1. HP Engage One Pro AiO Head Unit | 5. Payment Arm ⁴ |
| 2. Printer Drawer Pin Hole ¹ | 6. HP Engage Express Countertop Barcode Scanner Cradle |
| 3. Custom Modus 3 Printer ² | 7. HP Engage 2D G2 Barcode Scanner |
| 4. HP Engage 6.6 Inch with Ingenico Moby 5500M ³ | |

¹Metal pin comes with HP Engage Countertop in Printer configuration only and the metal pin is used to open printer drawer.

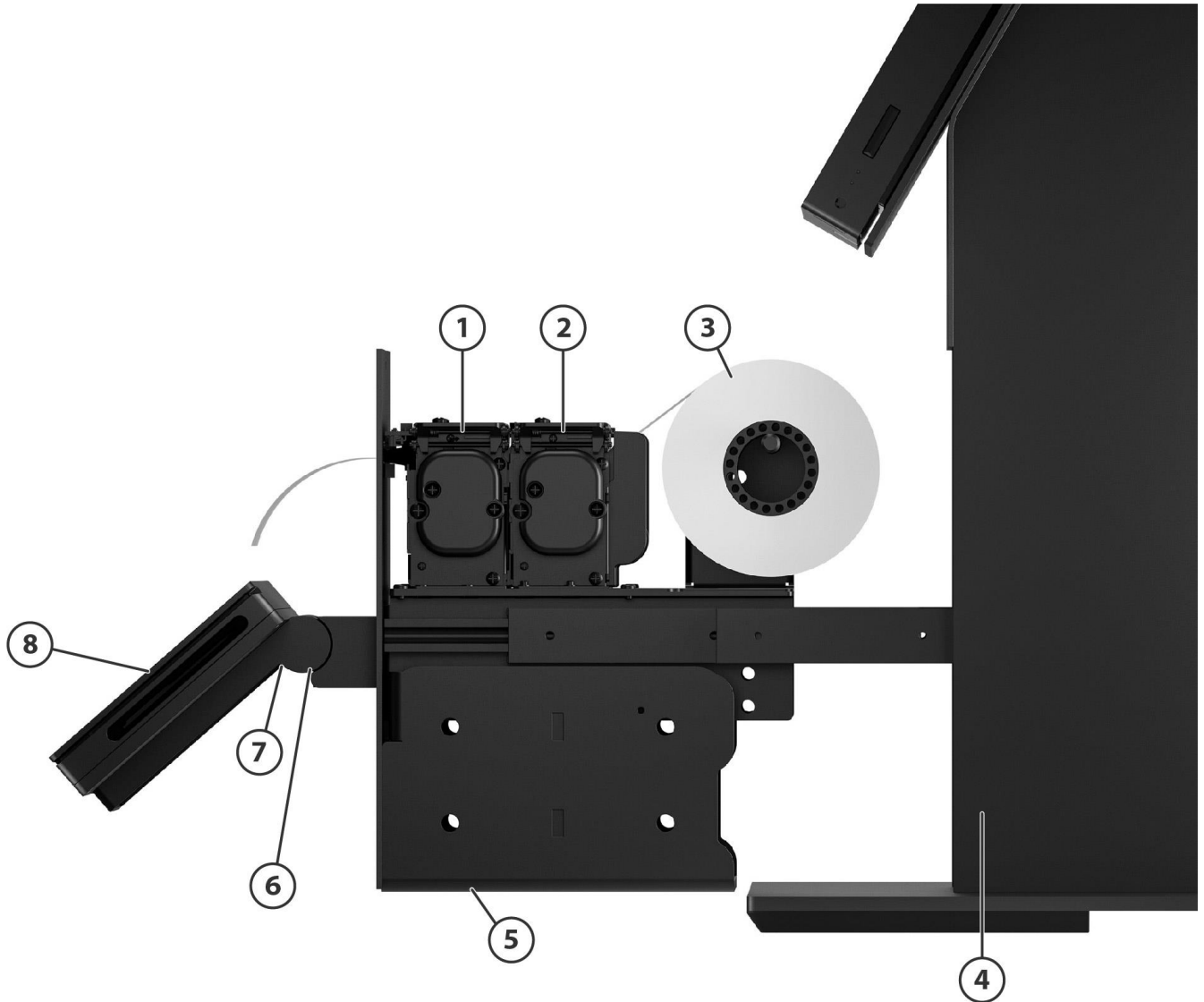
² Printer is factory install only and must be configured at purchase.

³The Moby/5500M available for United States only and excludes integrated battery. Non-Ingenico One Gateways require Ingenico firmware updates.

⁴Payment arm is 75mm VESA® and is compatible only with HP Engage 6.6 inch Display for Ingenico Moby 5500M and HP Engage 6.6 inch Display with Ingenico Moby 5500M , available in the U.S. only. Payment terminals and 3rd party payment mounts not included with payment arm. Must configure payment arm at purchase.

Overview

Custom Modus 3 Printer



1. Printer Presenter¹
2. Custom Modus 3 Printer²
3. Receipt Paper
4. HP Engage Express Countertop
5. Front Printer Drawer²
6. HP Engage 6.6 Inch with Ingencio Moby 5500M³
7. Screw to adjust payment arm torque
8. Payment Arm⁴

¹Helps to prevent jamming of printer receipt paper.

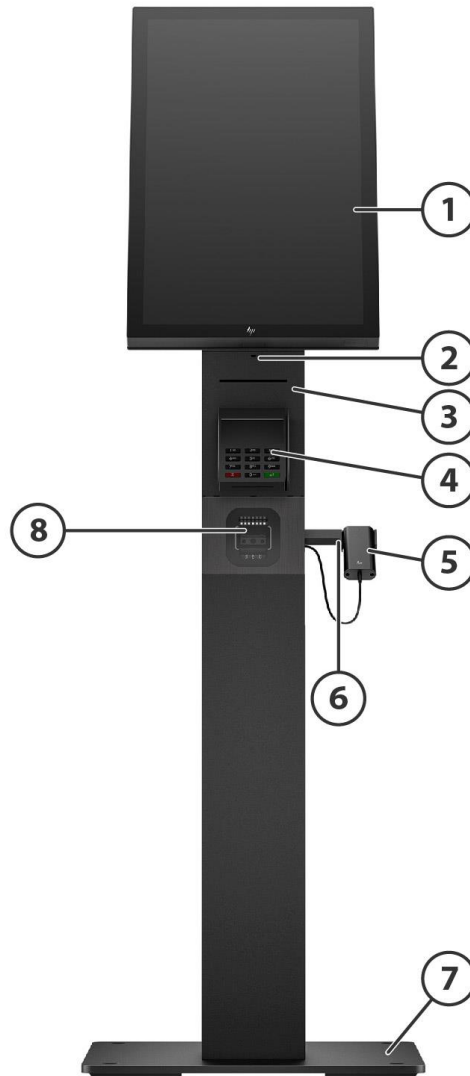
²Custom Modus3 Printer is factory install only and must be configured at purchase.

³The Moby/5500M available for United States only and excludes integrated battery. Non-Ingencio One Gateways require Ingencio firmware updates.

⁴Payment arm is 75mm VESA® and is compatible only with HP Engage 6.6 inch Display for Ingencio Moby 5500M and HP Engage 6.6 inch Display with Ingencio Moby 5500M, available in the U.S. only. Payment terminals and 3rd party payment mounts not included with payment arm. Must configure payment arm at purchase.

HP Engage Express Pedestal

Overview



- | | |
|---|---|
| 1. HP Engage One Pro AiO Head Unit | 5. HP Engage 2D G2 Barcode Scanner |
| 2. Printer Drawer Pin Hole ¹ | 6. HP Engage Express Pedestal Barcode Scanner Cradle |
| 3. Custom Modus 3 Printer ² | 7. HP Engage Express Pedestal Base Plate holes for mounting x4 ⁴ |
| 4. Generic Payment ³ | 8. Datalogic Magellan 1500i Scanner ⁵ |

¹Metal pin comes with HP Engage Countertop in Printer configuration only and is used to open printer drawer.

²Custom Modus3 Printer is factory install only and must be configured at purchase.

³Payment terminal and mounting brackets not included.

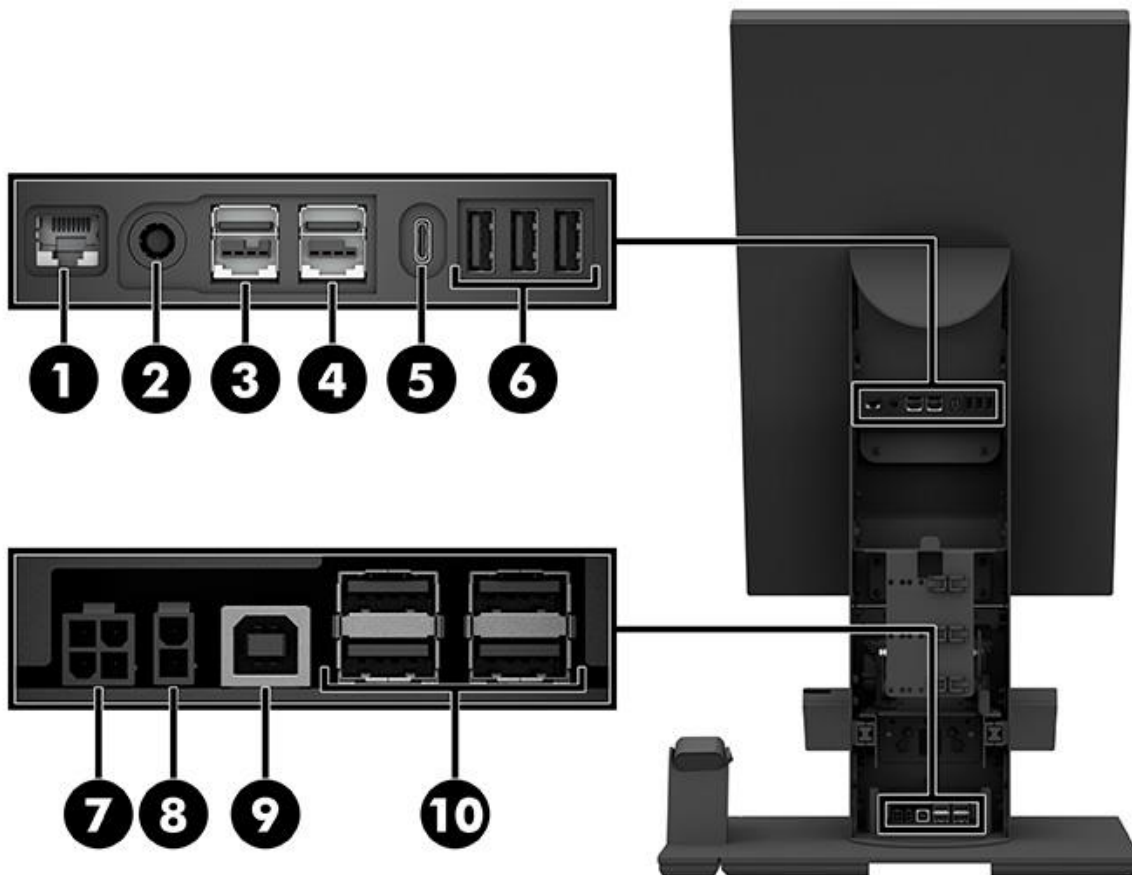
⁴HP Engage Express Pedestal Stand must be bolted to the floor, mounting bolts not included.

⁵The Datalogic Magellan 1500i Barcode Scanner is factory install only and must be configured at purchase.

Overview

Rear View

HP Engage Express VESA® hub	
1. 1x RJ-45 Port	4. 1x Powered USB 12V Port
2. 1x DC Power Connector	5. 1x USB-C
3. 1x Powered USB 24V Port	6. 3x USB-A 3.2



HP Engage Mini Hub	
7. 1x 4-Pin Power Connector (Power source for Pro VESA® hub)	9. 1x USB-B (USB-A extension from VESA® Hub)
8. 1x 2-Pin Power Connector (Power source for Printer)	10. 4x USB-A 2.0

NOTE: HP Engage One Pro VESA® Hub must be configured with HP Engage One Pro AiO for compatibility with HP Engage Express Countertop or Pedestal Stands. HP Engage Mini Hub is included in HP Engage Express Countertop and Pedestal Stands.

HP Engage Express Countertop Barcode Scanner Cradle



- The HP Engage Express Countertop Barcode Scanner Cradle is sold separately.
- HP Engage Express Barcode Scanner Cradle & HP Engage 2D G2 Barcode Scanner included.
- HP Engage Express Countertop Barcode Scanner Cradle can be installed on the right or left side of the countertop stand.

NOTE: HP Engage Express Countertop Barcode Scanner Cradle is only compatible with HP Engage Express Countertop Stands.

HP Engage Express Shelves



- The HP Engage Express Shelves are sold separately.
- The after market option includes a left shelf and right shelf. Shelves are not interchangeable and can be adjusted on the pedestal stand. Maximum weight per shelf is 20 kgs/44lbs.

NOTE: HP Engage Express Shelves are only compatible with HP Engage Express Pedestal Stands.

Overview

At A Glance: HP Engage Express (Stand only)

- Color: Ebony Black
 - AMO Stand Options:
 - HP Engage Express Countertop Stand
 - HP Engage Express Pedestal Stand**NOTE:** HP Engage Express Pedestal Stand must be bolted to the floor, bolts not included.
 - AMO Add-on Options:
 - HP Engage Countertop Barcode Scanner Cradle
 - HP Engage Shelves
 - HP Engage Bag Holder (coming soon)
 - HP Engage Express Countertop Mount (coming soon)**NOTE:** HP Engage Countertop BCS Cradle and HP Engage Countertop Mount is only compatible with HP Engage Express Countertop Stands. HP Engage Express Shelves and HP Engage Express Bag holder are only compatible with HP Engage Express Pedestal Stand. Maximum weight per shelf is 20 kgs/44lbs.
 - Head Unit Compatibility: HP Engage One Pro All-in-One with Pro VESA® Hub
 - Peripheral Options
 - Payment Arm with 75mm VESA®
 - Custom Modus3 Printer (Integrated)
 - HP Engage 2D G2 Barcode Scanner
 - Datalogic Magellan 1500i Kiosk Barcode Scanner (Integrated)**NOTE:** Datalogic Magellan 1500i Kiosk Barcode Scanner is only compatible with Pedestal stand. The Custom Modus3 Printer is factory install only and must be configured at purchase.
 - Optional Payment & Payment Mounts
 - HP Engage 6.6 Inch with Ingenico payment module or HP Engage 6.6 Inch for Ingenico payment module. (U.S Only)**NOTE:** Engage 6.6 inch Display for Ingenico Moby 5500M and HP Engage 6.6 inch Display with Ingenico Moby 5500M are not compatible with Android GMS. Payment arm is 75mm VESA® and is compatible only with HP Engage 6.6 inch Display for Ingenico Moby 5500M and HP Engage 6.6 inch Display with Ingenico Moby 5500M, available in the U.S. only. Payment terminals and 3rd party payment mounts not included with payment arm. Must configure payment arm at purchase.
 - 3rd party payment arm and brackets after market option coming soon
- HP Engage Express Mini Hub
- 3 Year Onsite Warranty for HP Engage Express After Market Options except for select AMOs
- NOTE:**
- HP Engage Express Shelves, HP Engage Express Bag holder, and HP Engage Express Countertop Mount are 3 year advanced exchange.

At a Glance: Compatibility with HP Engage One Pro All-in-One Head Unit

- Color: Ebony Black
- Choice of 2 orientations: Landscape & portrait
 - Landscape choice of with or without camera
- Choice of 3 Long lifecycle performance All-in-One (AiO) Retail System for retail and hospitality markets operator display:
 - 15.6" diagonal, FHD (1920 x 1080), touch, IPS, UWVA, anti-glare, 400 nits, 45% NTSC
 - 19.5" diagonal, FHD (1920 x 1080), touch, VA, UWVA, anti-glare, 450 nits, 72% NTSC
 - 23.8" diagonal, FHD (1920 x 1080), touch, IPS, UWVA, anti-glare, 625 nits, 72% NTSC**NOTE:** Actual brightness will be lower with touch screen
- Processor choices (Intel® Q470E chipset, 65W Processors):
 - 10th Generation Intel® Core™ i9, i7, i5, & i3 processors

Overview

- Intel® Pentium® and Celeron® processors
- Intel® Wi-Fi 6 AX201 (2x2) and Bluetooth® 5 combo, non-vPro® Intel® Wi-Fi 6 AX201 (2x2) and Bluetooth® 5 combo, vPro® Intel® Wi-Fi 6 + Bluetooth® 5 (802.11AX 2x2)*
**Wireless access point and Internet service required and sold separately. Availability of public wireless access points limited. Wi-Fi 6 (802.11ax) is backwards compatible with prior 802.11 specs.*
- 1 VESA® Hub
 - HP Engage One Pro VESA Hub**
NOTE: Must configure HP Engage One Pro with Pro VESA® Hub for compatibility with HP Engage Express. Includes 230W power adapter.
- Integrated peripheral options
 - HP Engage Indicator Light
 - HP Engage One Pro Bar Code Scanner (choose between 3 locations: left, right, bottom) of the head unit
 - HP Engage One Pro MSR
 - HP Engage One Pro Fingerprint Reader
NOTE: The Engage 6.6 inch Customer Facing Display integrated peripheral option on HP Engage One Pro is not compatible with HP Engage Express. HP Engage Indicator Light is an optional peripheral that requires factory installation and must be configured at HP Engage One Pro AiO purchase.
- Intel WLAN Option
- HP Engage One Pro All-in-One Standard Warranty Options – 90/90/90, 1/1/1, 3/3/3; plus Optional Care Packs
- (2) Two DDR4 Memory Slots (64 GB Maximum)
- 64 GB DDR4-3200 SDRAM Transfer rates up to 3200 MT/s.
- 2 SODIMM Memory slots
 - 128 GB to up to 1 TB PCIe® NVMe™ SSD
 - 256 GB to up to 512 GB PCIe® NVMe™ SS
- Integrated HD audio with Realtek ALC3247 codec with standards internal speakers and stereo headphone jack, 2W

For more information & disclaimers on HP Engage One Pro, reference the HP Engage One Pro AiO Quick Spec.

NOTE: See important legal disclosures for all listed specs in their respective features sections.

Features

HP Engage One Express AMO (Configurations)

AMO Number	AMO Name	AMO Description
6P2E2AA	HP Engage Express Countertop 1	Deliver maximum functionality in a small footprint design with the HP Engage Express Countertop Stand. This simple stand meets your essential self-service needs without additional peripherals.
6P2E3AA	HP Engage Express Countertop 2	Deliver maximum functionality in a small footprint, self-service design with the HP Engage Express Countertop Stand with included payment arm. Sleek and streamlined, it's a versatile option that accommodates your choice of payment. ¹
6P2E4AA	HP Engage Express Countertop 3	Deliver maximum functionality in a small footprint, self-service design with the HP Engage Express Countertop Stand with included Custom Modus3 Printer. ² The printer sleekly integrates into a front accessible drawer for easy maintenance.
6P2E5AA	HP Engage Express Countertop 4	Deliver maximum functionality in a small footprint, self-service design with the HP Engage Express Countertop Stand with included payment arm ¹ and Custom Modus3 Printer. ² The payment arm accommodates a variety of payment options, and the printer sleekly integrates into a front accessible drawer for easy maintenance.
6P2E7AA	HP Engage Express Pedestal 5	Enhance and streamline customer experiences with an elegantly crafted, highly versatile self-service stand. The HP Engage Express Pedestal Stand ³ delivers a sleek footprint and is ruggedly durable — meeting all your essential self-service needs.
6P2E8AA	HP Engage Express Pedestal 6	Enhance and streamline customer experiences with the sleek HP Engage Express Pedestal Stand ³ with included payment arm. It's elegantly crafted, ruggedly durable, and the payment arm accommodates a variety of payment options. ¹
6P2E9AA	HP Engage Express Pedestal 7	Enhance and streamline customer experiences with the sleek HP Engage Express Pedestal Stand ³ with included Custom Modus3 Printer ² . It's elegantly crafted, ruggedly durable, and the printer cleanly integrates into a front accessible drawer for easy maintenance.
6P2F0AA	HP Engage Express Pedestal 8	Enhance and streamline customer experiences with the elegantly crafted, ruggedly durable HP Engage Express Pedestal Stand ³ with included payment arm ¹ and Custom Modus3 Printer ² . The payment arm accommodates a variety of payment options, and the printer sleekly integrates into a front accessible drawer for easy maintenance.
6P2F1AA	HP Engage Express Pedestal 9	Enhance and streamline customer experiences with the elegantly crafted, ruggedly durable HP Engage Express Pedestal Stand ³ with included payment arm ¹ , Custom Modus3 Printer ² , and hand-held HP Engage 2D G2 Barcode Scanner. The payment arm accommodates a variety of payment options, the printer sleekly integrates into a front accessible drawer for easy maintenance, and the hand-held barcode scanner allows scanning of 1D and 2D omnidirectional barcodes as well as mobile device scanning.
6P2F2AA	HP Engage Express Pedestal 10	Enhance and streamline customer experiences with the elegantly crafted, ruggedly durable HP Engage Express Pedestal Stand ³ with included payment arm ¹ , Custom Modus3 Printer ² , and Datalogic Magellan 1500i Kiosk Barcode Scanner ⁴ . The payment arm accommodates a variety of payment options, and the printer sleekly integrates into a front accessible drawer for easy maintenance. The barcode scanner integrates into the stand for a seamless scanning solution.
6P2F3AA	HP Engage Express Pedestal 11	Enhance and streamline customer experiences with the elegantly crafted, ruggedly durable HP Engage Express Pedestal Stand ³ with included payment arm ¹ , Modus3 Printer ² , integrated Datalogic Magellan 1500i Kiosk Barcode Scanner ⁴ , and hand-held HP Engage 2D G2 Barcode Scanner. It delivers maximum function in a modern, small footprint design to complement your environment.

Features

HP Engage Express AMO (Add-Ons)

AMO Number	AMO Name	AMO Description
6P2F9AA	HP Engage Express Countertop BCS Cradle	Built for demanding environments, the HP Engage Express Countertop Barcode Scanner Cradle ⁵ provides an optimal place for your hand-held barcode scanner to rest while keeping counters clutter-free.
6P2G0AA	HP Engage Express Shelves	Add greater convenience to the self-checkout experience with HP Engage Express Shelves ⁶ for the HP Engage Express Pedestal Stand. ³ One right shelf and one left shelf are included .
6P2F7AA (coming soon)	HP Engage Express Bag Holder	Easy to use, the HP Engage Express Bag Holder ⁶ securely holds bags on the left side of the HP Engage Express Pedestal Stand ³ for quick and efficient checkout.
TBD (coming soon)	HP Engage Express Countertop Mount	Mount the HP Engage Express Countertop Stand to the counter for extra security. Coming soon.

Disclaimers:

1. Payment arm is 75mm VESA® and is compatible only with HP Engage 6.6 inch Display for Ingenico Moby 5500M and HP Engage 6.6 inch Display with Ingenico Moby 5500M , available in the U.S. only. Payment terminals and 3rd party payment mounts not included with payment arm. Payment arm must be configured at purchase.
2. The Custom Modus3 Printer is factory install only and must be configured at purchase.
3. HP Engage Express Pedestal Stand must be bolted to the floor, bolts not included. See product Quick Specs for more information.
4. The Datalogic Magellan 1500i Barcode Scanner is factory install only and must be configured at purchase.
5. HP Engage Express Countertop Cradle includes the HP Engage 2D G2 Barcode Scanner and is only compatible with the HP Engage Express Countertop Stand.
6. HP Engage Express Shelves and HP Engage Express Bag Holder are only compatible with the HP Engage Express Pedestal Stand. Maximum weight per shelf is 20 kgs/44lbs.

Features

PORTS

HP Engage One Pro Pro VESA® Hub I/O:

- 1x 140W data port (PDO cable to Head Unit)¹
- 1x RJ45 vPro NIC
- 1x UAJ (Audio jack)
- 4x Integrated USB-A Gen1 Peripherals ports
- 2x USB3.2 G1 Type-A / 900mA
- 2x USB3.2 G1 Type-A / 2.2A

HP Engage Express Mini hub I/O:

- 1x 4 Pin Power Connector (Power source for Pro VESA® hub)
- 1x 2 Pin Power Connector (Power source for Printer)
- 1x USB-B (USB-A extension from VESA® Hub)
- 4x USB-A 2.0

NOTE: HP Engage Mini Hub is included in HP Engage Express Countertop and Pedestal Stands. Pro VESA® Hub must be configured on the HP Engage One Pro to work with HP Engage Express Stands.

USB SPECIFICATION

Speed

Hi-Speed USB 480Mbps signaling rate

SuperSpeed USB 5Gbps signaling rate

Terminology

USB 2.0

USB 3.2 Gen 1

Integrated Custom Modus 3 Printer

General

Supported Character Set/ Resident Code Pages:

290 Japanese/ Katakana
437 US
720 Arabic
737 Greek
850 Multi-lingual
852 Slavic
855 Cyrillic
857 Turkish
858 with Eurosymbol
860 Portuguese
862 Hebrew
863 French Canadian
864 Arabic
865 Nordic
866 Cyrillic
932 Japanese
949 Korean - Hangul
1125 Ukrainian
1250 Latin
1251 Cyrillic
1252 Windows Latin I
1253 Greek

Features

1254 Turkish
 1255 Hebrew
 1256 Arabic
 1257 Baltic
 1258 Vietnamese
 GB18030 Chinese (Simplified & Traditional)
 ISO8859-2 Latin 2
 KU42 Thai (Not available at product launch.)
 Unicode support for resident fonts/ Code Pages

Bar Codes	1D: UPC-A, UPC-E, EAN8, EAN13, Code 39, Code 93, Codabar, Code 128, QR code
Print Method	Direct Thermal
Printing Speed	Up to 120 mm/sec
Printer Sensor	Head temperature, paper presence, black mark, cover open
Resolution	203 DPI
Roll Width	80 mm
Print Width	76 mm
Flash Memory	2 MB
RAM	640 KB
Knife	Full cut or partial cut (only without presenter module)
Receipt-Columns	44/56 (80mm paper roll)
Paper Type	Thermal Paper
Paper Thickness Range	58 – 100 gsm
Roll Core Diameter	25 mm
Estimated life	1000000 cuts
External roll diameter	80mm max.
Cash drawer	Not supported
Knife cuts	1000000 cuts
Print head life	150 km or 100 M pulse durability
Interface	USB2.0 type-A
Operating voltage	19.5V
Current consumption	0.8A
Standby consumption	0.03A

Environmental Conditions

Operating temperature	-20°C to 70°C
Relative humidity	10% to 85% (w/o condensation)
Storage temperature	-20°C to 70°C
Storage relative humidity	10% to 90% (w/o condensation)

Drivers



Features

Windows, OPOS, JPOS, Android, Linux

Operating System

Compatible with:

Windows

- Windows 11 Pro 64-bit
- Windows 10 Pro 64-bit
- Windows 10 IoT Enterprise 2019 LTSC 64-bit (RS5-based)
- Windows 10 IoT Enterprise 2016 LTSB 64-bit (RS1-based)

Linux

- CentOS: 8.4.2105-x86_64
- Fedora: Workstation-Live-x86_64-34-1.2
- OpenSUSE: Leap-15.3-DVD-x86_64
- SUSE Linux: 12-SP5-Server-DVD-x86_64-GM-DVD1, SUSE Linux-15-SP2-Full-x86_64, SUSE Linux 15-SP3-Full-x86_64
- Ubuntu: 18.04.5-desktop-amd64, ubuntu-20.04.2.0-desktop-amd64, ubuntu-mate-20.04.2.0-desktop-amd64

Android

- HP Android 11.0 (HP Engage One Pro AiO)
-

Technical Specifications - HP Engage 2D G2 Barcode Scanner

HP Engage 2D G2 Barcode Scanner



Model

HP Engage 2D G2 Barcode Scanner (Black)

Introduction

Deliver an efficient customer experience with the reliable, versatile, and efficient HP Engage 2D G2 Barcode Scanner, HP's smallest, slimmest barcode scanner. It reads mobile wallets, digital coupons, and printed barcodes, and can be used by hand or in presentation mode.

Key Features and Benefits

- Quickly scan mobile wallets and digital coupons from customer mobile devices or printed 1D and 2D barcodes. Intuitive feedback confirms a successful read.
- Supports a wide variety of symbologies, including 1D, 2D, and OCR.
- Built into an IP42-sealed and drop-resistant (1.2 m/ 3.94 ft) housing, can stand up to tough environments.
- User-friendly illumination and aiming: Employs highly- visible laser aimer to achieve crisp and accurate targeting while using flicker-free white soft illumination to reduce eye strain and fatigue from long-time operation.
- Powerful data formatting capability: Allows customizing scanned data with ease and provides supporting software to address diverse application needs.

Compatibility

The HP Engage 2D G2 Barcode Scanner is compatible with HP Retail & Industry Solutions systems.

NOTE: Not all Point of Sale system models are available in all regions.

Service and Support

Three (3) year limited warranty with advance exchange when purchased from HP. Additional HP Care Pack Services options are available to extend warranty coverage.

General

Scanner Technology	Global Shutter
Image Sensor	1280 x 800 CMOS
Light source/ illumination	White LED
Aiming	650 nm red laser diode

Technical Specifications - HP Engage 2D G2 Barcode Scanner

Read Rate	60 frames/second
Motion Tolerance	20 cm/second
Resolution	>= 3 mil*
Field of View	Horizontal: 47°; vertical: 30°
Typical Depth of Field	Depth of Field distance determined by symbol length and scan angle. Printing resolution, contrast, and ambient light dependent.

*Test conditions: T=23°C; Illumination=3001 ux using incandescent lamp; sample barcodes made by Newland.

Typical Performance *

Narrow Width	Depth of Field
Code 39	55 mm – 220 mm (5 mil)
Data Matrix	45 mm – 245 mm (10 mil)
EAN-13	45 mm – 450 mm (13 mil)
PDF417	55 mm – 195 mm (6.7 mm)
QR Code	20 mm – 320 mm (15 mil)

* Performance may be impacted by bar code quality and environmental conditions.

Min. Symbol Contrast	20% minimum reflectance difference*
-----------------------------	-------------------------------------

*Test conditions: T=23°C; Illumination=3001 ux using incandescent lamp; sample barcodes made by Newland.

Scan Angle* Roll (tilt)	± 360°
--	--------

*Test conditions: Scan Distance= (min. DOF + max. DOF)/2; T=23°C; Illumination=3001 ux using incandescent lamp; 2D: QR Code; 10 Bytes; Resolution=1Smil; PCS=0.8.

Pitch	± 55°
Skew	± 60°

Additional Features	Data parsing (driver license parsing), data formatter
----------------------------	---

Symbologies

1D (Linear)	AIM 128 Codabar Code 11 Code 39 Code 49 Code 93 Code 128 Code 16K Coupon EAN-8 EAN-13 Febraban GS1-128 (UCC/ EAN-128) GS1 Composite (EAN UCC Composite)
--------------------	--

Technical Specifications - HP Engage 2D G2 Barcode Scanner

GS1 Databar (RSS)
Industrial 25
Interleaved 2 of 5
ISBN
ISBT 128
ISSN
ITF-6
ITF-14
Matrix 25
MSI-Plessey
Plessey
Standard 25
UPC-A
UPC-E

2D

Aztec Barcode
Chinese Sensible Code
Code One
Data Matrix
GM Code
MaxiCode
MicroPDF417
Micro QR Code
PDF417
QR Code

Postal Codes

Australian Post
China Post 25
KIX Post (Netherlands)
Royal Mail (UK)
USPS Intelligent Mail
USPS Postnet

Mechanical/ Electrical

Dimensions (H x W x D)	160 x 44 x 33 mm (6.30 x 1.73 x 1.18 in)
Cable length	1.8m (5.9 ft)
Color	Ebony Black or Ceramic White
Power Typical Current	5V – 255.76 mA
Weight	130g (4.59 oz)
Interface	USB
Input Voltage	5.0 Vdc +/- 5%
Typical Current	5V – 255.76 mA

Environmental

Operating Temperature	-20°C to 60°C (-4°F to 140°F)
Storage Temperature	-40°C to 70°C (-40°F to 158 °F)
Humidity	5% to 95% relative humidity, non-condensing
ESD	±15KV (air discharge); ±8KV (contact discharge)
Drop	1.2m (3.94 ft)
Sealing	IP42

Technical Specifications - HP Engage 2D G2 Barcode Scanner

Drivers

Windows USB COM, OPOS, and JPOS

Operating System

Compatible with:

Windows

Win 11 Pro 64-bit

Win 10 Pro 64-bit

Windows 10 IoT Enterprise LTSC 2021 64-bit

Windows 10 IoT Enterprise LTSC 2019 64-bit

Windows 10 IoT Enterprise LTSB 2016 64-bit

Linux

Ubuntu 20.04.1 LTS

Ubuntu-18.04.6-desktop-amd64

Ubuntu-20.04.4.0-desktop-amd64

Ubuntu-22.04.0.0-desktop-amd64

RHEL 9.0-x86_64

SLE-12-SP5-Server-x86_64

SLE-15-SP3-x86_64

Debian-11.3.0-amd64

Agency Certifications

FCC Part 15 Class B, CE EMC Class B, KCC, VCCI

Option Kit Contents

HP Engage 2D G2 Barcode Scanner with attached 5.9 ft (1.8M) USB cable, scanner stand

Technical Specifications - HP Engage Indicator Light

HP Engage Indicator Light



General

Standard Colors	white, red, green, yellow
Brightness	6,400 nits in solid states; up to 10,000 nits in flicker states
Indicator Light Dimensions (excluding USB connector)	56 (W) x 29.4 (H) x 8.3 (D) mm (2.2 x 1.6 x 0.3 inches)
Indicator Light Module Dimensions (including USB connector)	56 (W) x 29.4 (H) x 53.5 (D) mm (2.2 x 1.6 x 2.1 inches)
Net Weight	Approx. 21 grams (0.74 oz)
Interface	USB in 5V only
MTBF	30,000 hours
Power Consumption	5V - 600mA
EMC / Safety Standards	FCC, CE, VCCI, RCM, KCC, ICE, CSA, EAC

Power

Voltage (typical)	5 VDC +/- 10%
Current Consumption (typical)	200mA
Communication Interface	USB (HID class)

Operating System

Compatible with:	Windows Windows 10 IoT Enterprise 2019 LTSC 64-bit Windows 10 IoT Enterprise 2021 LTSC 64-bit Windows 10 Pro 21H2 64-bit and newer Windows 11 Pro 22H2 64-bit and newer
-------------------------	--

Technical Specifications - HP Engage Indicator Light

Linux

Red Hat Enterprise Linux (RHEL) x64 8.5 and newer
SUSE Linux Enterprise Server (SLES) x64 15 SP3 and newer
Ubuntu x64 20.04.3.0 and newer

Android

Android 11 including Android 11 GMS

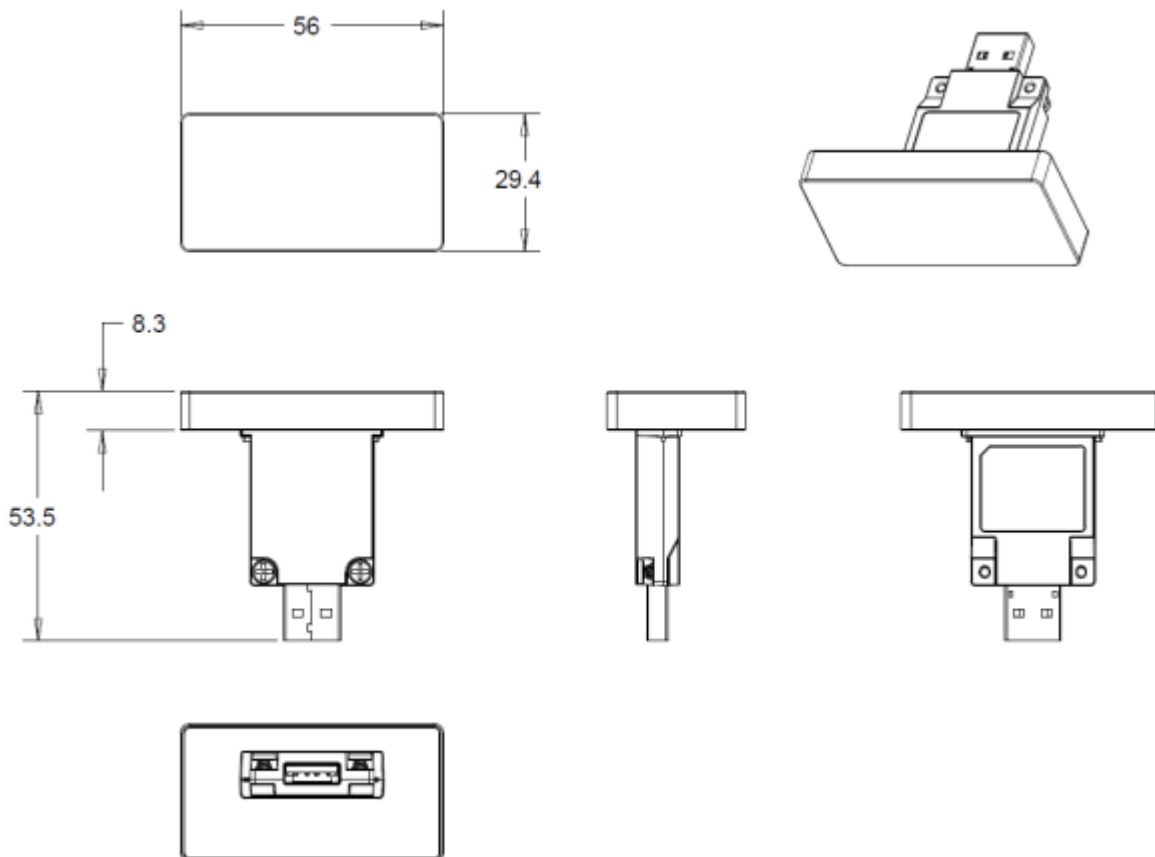
Software Interface

OPOS (Windows), JPOS (Linux, Windows and Android) and HP Retail SDK for Android

Default Settings

- Initial state on Power on (plug-in): White
- Default setting of brightness: 50%

NOTE: HP Engage Indicator Light is an optional peripheral that requires factory installation and must be configured at HP Engage One Pro AiO purchase.



Dimensions in mm

Technical Specifications - Datalogic Magellan 1500i Kiosk Barcode Scanner

Datalogic Magellan 1500i Kiosk Barcode Scanner



Key Features and Benefits

- Seamlessly reads 1D and 2D bar codes, whether printed or displayed on mobile phone, laptop or tablets.
- Digimarc® Barcode decoding.
- Subtle, adaptive illumination for user comfort.
- Compact, ergonomic design is ideal for hands-free or hand held operations
- Datalogic's 'Green Spot' technology for good-read feedback

General

Scanner Type	Omnidirectional Imager		
Source	1 Megapixel: 1280 x 800 pixel		
Light source	LED		
Depth of Field	Typical Performance*		
	Narrow Width	Depth of Field	
	1D/Linear Codes 3.5 in)	5 mils: 2.5 to 9.0 cm (0.9 to	
		7.5 mils: 0 to 17.0 cm (0 to 6.6 in)	
		10 mils: 0 to 21 cm (0 to 8.2 in)	
		UPC: 13 mils: 0 to 25.0 cm (0 to 9.8 in)	
		20 mils: 1.0 to 30.0 cm (0.4 to 11.8 in)	
	2D Codes (0.9 to 4.3 in)	PDF: 6.5 mils: 2.5 to 11.0 cm	
		Data Matrix: 13 mils: 0 to 17.0 cm (0 to 6.7 in)	
		PDF: 16 mils: 0 to 2.0 cm (0 to 7.8 in)	
		Data Matrix: 24 mils: 0 to 25.0 cm (0 to 9.8 in)	
Symbol Contrast	25% minimum reflectance		
Roll (tilt)	360°		

Technical Specifications - Datalogic Magellan 1500i Kiosk Barcode Scanner

Pitch	± 65°
Skew	± 75°
1D decode symbologies	Autodiscriminates all standard 1D codes including GS1 DataBar™ linear codes.
2D decode symbologies	Aztec Code Data Matrix MaxiCode QR Code
Postal decode symbologies	Australian Post British Post Canadian Post China Post IMB Japanese Post KIX Post Planet Code Portuguese Post Postnet Royal Mail Code (RM4SCC) Swedish Post
Stacked decode symbologies	GS1 DataBar Composites GS1 DataBar Expanded Stacked GS1 DataBar Stacked GS1 DataBar Stacked Omnidirectional Micro PDF417 PDF417

Mechanical

Dimensions (L x W x H)	6.0 x 7.5 x 8.4 cm (2.4 x 3.0 x 3.3 in)
Weight	170 g (6 oz)
Cable length	2 m (6.5 ft)
Color	Black

Interface/Connection

Interface	USB-A
------------------	-------

Temperature

Operating	0 to 40 °C (32 to 104 °F)
Storage/transport	-40 to 70 °C (-40 to 158 °F)
Humidity (non-condensing)	5 - 95%

Power

Standby	300mA
Current Operating	500mA

Reliability

Ambient Light	0 to 86,100 lux
Water Penetration Protection	IP52
Drop ESD	1.2 m (4.0 ft) 25 kV

Drivers

Windows UBB HID-KB and OPOS & JPOS (via USB-COM mode drivers)

Operating System

Compatible with:	Windows Windows 10 IoT Enterprise for Retail (64-bit)
-------------------------	---

Technical Specifications - Datalogic Magellan 1500i Kiosk Barcode Scanner

Windows 10 Pro (64-bit)

Linux

Red Hat/Cento 6 and 7 (32-bit and 64-bit)

Suse Linux® Enterprise POS 11 SP3 (32-bit and 64-bit)

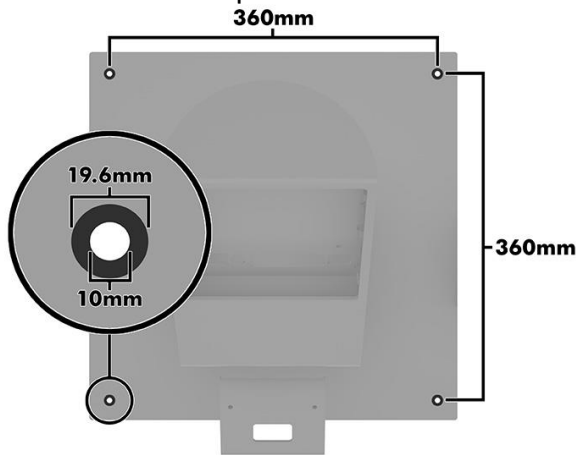
Ubuntu 14.04 LTS (32-bit and 64-bit)

Agency Certifications

IEC62368

HP Engage Express Pedestal Stand Mounting

Pedestal Base Plate Top View



NOTE: HP Engage Express Pedestal Stand must be bolted to the floor, bolts not included.

HP Engage Express Countertop & Pedestal Dimensions with HP Engage One Pro AiO

NOTE: Weight and dimensions below do not include MSR, Biometric Reader, Countertop BCS Cradle, Bag Holder, Shelves, and Payment Arm.

Description	Length/Depth (in/mm)	Width (in/mm)	Height (in/mm)
Countertop + 15.6" Landscape	13.78/350.00	15.65/397.56	23.08/586.18
Countertop + 15.6" Portrait	13.78/350.00	13.78/350.00	25.65/651.40
Countertop + 19.5" Landscape	13.78/350.00	19.48/494.80	24.01/609.95
Countertop + 19.5" Portrait	13.78/350.00	13.78/350.00	27.37/695.26
Countertop + 23.8" Landscape	13.78/350.00	22.36/568.00	24.78/629.37
Countertop + 23.8" Portrait	13.78/350.00	13.78/350.00	28.72/729.39
Pedestal + 15.6" Landscape	17.99/457.00	17.99/457.00	53.24/1352.18
Pedestal + 15.6" Portrait	17.99/457.00	17.99/457.00	55.41/1407.35
Pedestal + 19.5" Landscape	17.99/457.00	19.48/495.00	54.17/1375.95

Technical Specifications - Datalogic Magellan 1500i Kiosk Barcode Scanner

Pedestal + 19.5" Portrait	17.99/457.00	17.99/457.00	57.53/1461.16
Pedestal + 23.8" Landscape	17.99/457.00	22.36/568.00	54.94/1395.37
Pedestal + 23.8" Portrait	17.99/457.00	17.99/457.00	58.87/1495.39
HP Engage Express Countertop Barcode Scanner Cradle (with HP Engage 2D G2 BCS)	13.78/350.00	5.61/142.50	3.85/97.85
HP Engage Express Shelves (2)	14.49/368.00	7.24/184.00	4.00/101.56
HP Engage Express Bag Holder	7.73/196.25	13.25/336.50	7.85/199.31
HP Engage Express Countertop Mount	TBD	TBD	TBD

HP Engage Express Countertop and Pedestal Weights

AMO Number	AMO Name	Weights (lb/kg)
6P2E2AA	HP Engage Express Countertop 1	26.90/12.20
6P2E3AA	HP Engage Express Countertop 2	27.12/12.30
6P2E4AA	HP Engage Express Countertop 3	28.22/12.80
6P2E5AA	HP Engage Express Countertop 4	28.45/12.90
6P2E7AA	HP Engage Express Pedestal 5	79.37/36.00
6P2E8AA	HP Engage Express Pedestal 6	79.59/36.10
6P2E9AA	HP Engage Express Pedestal 7	80.69/36.60
6P2F0AA	HP Engage Express Pedestal 8	80.91/36.7
6P2F1AA	HP Engage Express Pedestal 9	81.57/37.00
6P2F2AA	HP Engage Express Pedestal 10	81.35/36.90
6P2F3AA	HP Engage Express Pedestal 11	82.01/37.20
6P2F9AA	HP Engage Express Countertop Barcode Scanner Cradle (with HP Engage 2D G2 BCS)	Cradle: BCS: Total:
6P2G0AA	HP Engage Express Shelves	/Per shelf
6P2F7AA	HP Engage Express Bag Holder	0.90/0.41
TBD	HP Engage Express Countertop Mount	TBD

HP Engage One Pro All-in-One System Weight and Dimensions

NOTE: Weight and dimensions below are only HP Engage One Pro units and do not include MSR, Biometric Reader, Webcam, or CFD.

Head Unit-15.6"		
	Metric	US
Head Unit-15.6" Dimensions (Landscape)		
Height [mm/in]	241.0	9.5

Technical Specifications - Datalogic Magellan 1500i Kiosk Barcode Scanner

Width [mm/in]	397.6	15.7
Depth [mm/in]	26.4	1.0
Volume (Liters/cubic inches)	2.5	154.35
Head Unit-15.6" Dimensions (Portrait)		
Height [mm/in]	241.0	9.5
Width [mm/in]	397.6	15.7
Depth [mm/in]	26.4	1.0
Volume (Liters/cubic inches)	2.5	154.35
Head Unit-15.6" Weight (Landscape)		
[kg/lb.]	3.37	7.4
Head Unit-15.6" Weight (Portrait)		
[kg/lb.]	3.35	7.4

Head Unit-19.5"

	Metric	US
Head Unit-19.5" Dimensions (Landscape)		
Height [mm/in]	292.6	11.5
Width [mm/in]	494.8	19.5
Depth [mm/in]	29.4	1.2
Volume (Liters/cubic inches)	4.3	259.75
Head Unit-19.5" Dimensions (Portrait)		
Height [mm/in]	292.6	11.5
Width [mm/in]	488.8	19.2
Depth [mm/in]	29.4	1.2
Volume (Liters/cubic inches)	4.2	256.60
Head Unit-19.5" Weight (Landscape)		
[kg/lb.]	5.70	12.6
Head Unit-19.5" Weight (Portrait)		
[kg/lb.]	5.69	12.5

Head Unit-23.8"

Technical Specifications - Datalogic Magellan 1500i Kiosk Barcode Scanner

	Metric	US
Head Unit-23.8" Dimensions (Landscape)		
Height [mm/in]	339.9	13.4
Width [mm/in]	576.4	22.7
Depth [mm/in]	29.4	1.2
Volume (Liters/cubic inches)	5.8	351.50
Head Unit-23.8" Dimensions (Portrait)		
Height [mm/in]	339.9	13.4
Width [mm/in]	570.4	22.5
Depth [mm/in]	29.4	1.2
Volume (Liters/cubic inches)	5.7	347.84
Head Unit-23.8" Weight (Landscape)		
[kg/lb.]	6.80	15.0
Head Unit-23.8" Weight (Portrait)		
[kg/lb.]	6.79	15.0

Technical Specifications -

HP Engage One Pro VESA hub

	Metric	US
Dimensions		
Height [mm/in]	150.0	5.9
Width [mm/in]	125.0	4.9
Depth [mm/in]	24.4	1.0
Weight(Without Adapter)		
[kg/lb.]	0.54	1.20

HP Engage One Pro AiO Summary Dimension Matrix

Display Heads Only	Width (Horizontal)	Height (Vertical)	Thickness
15.6 Landscape	397.6	241.0	26.4
19.5 Landscape	494.8	292.6	29.4
23.8 Landscape	576.4	339.9	29.4
15.6 Portrait	241.0	391.6	26.4
19.5 Portrait	292.6	488.8	29.4
23.8 Portrait- Slim VESA only*	339.9	570.4	29.4

Technical Specifications - Environmental

ENVIRONMENTAL & INDUSTRY

Environmental Data

Sustainable Impact Specifications

- Countertop: 5 % Recycled Metal*
- Pedestal: 9% Recycled Metal*
- This product is 92% recycle-able when properly disposed of at end of life.
FootNOTE: Recycled metal is expressed as a percentage of the total weight of the metal according to ISO 14021 definitions for metal parts over 25 grams.

Packaging Materials

External: PAPER/Corrugated

Internal: PLASTIC/Polyethylene Expanded – EPE

PLASTIC/Polyethylene low density – LDPE

The EPE foam packaging material is made from 100% recycled content.

The corrugated paper packaging materials contains at least 35% recycled content.

The plastic bag is 100 % recyclable

Material Usage

This product does not contain any of the following substances in excess of regulatory limits (refer to the HP General Specification for the Environment at <http://www.hp.com/hpinfo/globalcitizenship/environment/pdf/gse.pdf>):

- Asbestos
- Certain Azo Colorants
- Certain Brominated Flame Retardants – may not be used as flame retardants in plastics
- Cadmium
- Chlorinated Hydrocarbons
- Chlorinated Paraffins
- Formaldehyde
- Halogenated Diphenyl Methanes
- Lead carbonates and sulfates
- Lead and Lead compounds
- Mercuric Oxide Batteries
- Nickel – finishes must not be used on the external surface designed to be frequently handled or carried by the user.
- Ozone Depleting Substances
- Polybrominated Biphenyls (PBBs)
- Polybrominated Biphenyl Ethers (PBBEs)
- Polybrominated Biphenyl Oxides (PBBOs)
- Polychlorinated Biphenyl (PCB)
- Polychlorinated Terphenyls (PCT)
- Polyvinyl Chloride (PVC) – except for wires and cables, and certain retail packaging has been voluntarily removed from most applications.
- Radioactive Substances
- Tributyl Tin (TBT), Triphenyl Tin (TPT), Tributyl Tin Oxide (TBTO)

Notes: * EPE foam packaging material is considered “recycled” pre-Consumer. The scrap or waste EPE material from the manufacturing process of these EPE foam pieces are re-introduced into the manufacturing process.

Technical Specifications - Environmental

Packaging Usage

HP follows these guidelines to decrease the environmental impact of product packaging:

- Eliminate the use of heavy metals such as lead, chromium, mercury and cadmium in packaging materials.
- Eliminate the use of ozone-depleting substances (ODS) in packaging materials.
- Design packaging materials for ease of disassembly.
- Maximize the use of post-consumer recycled content materials in packaging materials.
- Use readily recyclable packaging materials such as paper and corrugated materials.
- Reduce size and weight of packages to improve transportation fuel efficiency.
- Plastic packaging materials are marked according to ISO 11469 and DIN 6120 standards.

End-of-life Management and Recycling

HP Inc. offers end-of-life HP product return and recycling programs in many geographic areas. To recycle your product, please go to: <http://www.hp.com/go/reuse-recycle> or contact your nearest HP sales office. Products returned to HP will be recycled, recovered or disposed of in a responsible manner.

HP Inc. Corporate Environmental Information

For more information about HP's commitment to the environment

Global Citizenship Report

<http://www.hp.com/hpinfo/globalcitizenship/gcreport/index.html>

Eco-label certifications

<http://www8.hp.com/us/en/hp-information/environment/ecolabels.html>

ISO 14001 certificates:

PC Product Design ISO 14001 certificate

and

HP Operations ISO 14001 certificate

Technical Specifications

Service and Support

Three-year (3-3-3) limited warranty delivers (three years) of on-site, next business day² service for parts and labor and complimentary limited technical support.³ HP Engage Express Shelves, HP Engage Express Bag Holder, and HP Engage Express Countertop Mount are 3 year advanced exchange (3-3-0). Three-year onsite and labor are not available in all countries. Optional HP Care Pack for HP Engage One Pro All-in-One.¹ To choose the right level of service for your HP product, visit HP Care Pack Central: <http://http://www.hp.com/go/cpc>

NOTES:

1. Terms and conditions may vary by country. Certain restrictions and exclusions apply. Other warranty variations may be offered in your region.
2. On-site service may be provided pursuant to a service contract between HP and an authorized HP third-party provider, and is not available in certain countries. Global service response times are based on commercially reasonable best effort and may vary by country.
3. Technical support applies only to HP-configured Compaq and third-party HP-qualified hardware and software. 24 x 7 support may not be available in some countries.

Date of change:	Version History:		Description of change:
February 6, 2023	From v1 to v2	Changed	Integrated Custom Modus 3 Printer section

Copyright © 2023 HP Development Company, L.P.

All rights reserved. Microsoft, Windows, Windows 7, Windows 8, and Windows 10 are registered trademarks or trademarks of Microsoft Corporation in the U.S. and/or other countries. Intel®, Celeron®, Pentium® and Core™ are registered trademarks or trademarks of Intel Corporation in the U.S. and/or other countries. Linux is the registered trademark of Linus Torvalds in the U.S. and other countries. Bluetooth® is a registered trademark of its proprietor and used by HP Inc. under license. ENERGY STAR® is a registered trademark owned by the U.S. Environmental Protection Agency.

The information contained herein is subject to change without notice. The only warranties for HP products are set forth in the express limited warranty statements accompanying such products. Nothing herein should be construed as constituting an additional warranty. HP shall not be liable for technical or editorial errors or omissions contained herein.