

Technical Specifications

HP Z25xs G3 QHD USB-C DreamColor Display



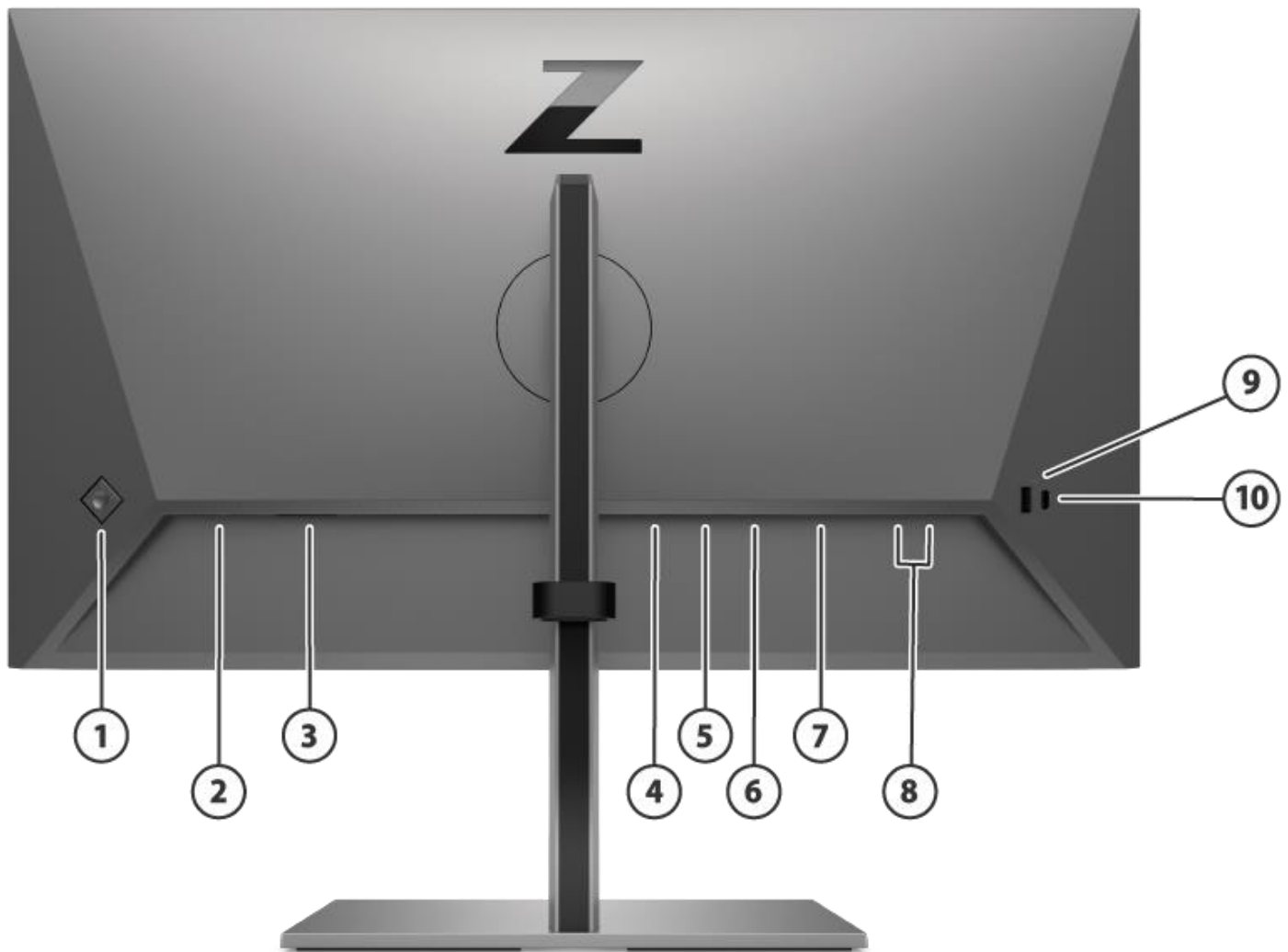
Front

1. Brightness Buttons

2. Power Button

Technical Specifications

HP Z25xs G3 QHD USB-C DreamColor Display



1. OSD Joypad Control
2. Security Cable Slot
3. Power Connector
4. HDMI Port
5. DisplayPort™

Back

6. DisplayPort™ Out
7. USB Type-C™ Port (DP Alt Mode 1.4, power delivery up to 100W)
8. USB Type-A™ Ports 3.0
9. USB Type-A™ Port 3.0
10. USB Type-C™ Port (Data only, power delivery up to 15W)

Technical Specifications

Model: 1A9C9AA

Panel Specifications	Display Size (Diagonal)	25-in
	Panel Technology	IPS
	Refresh Rate	60 Hz
	Resolution	2560 x 1440 (QHD)
	Panel Bit Depth	10-bit (8+2 FRC)
	Aspect Ratio	16:9
	Brightness (Typical)	266 nits
	HDR Peak Brightness (Typical)	400 nits (VESA DisplayHDR 400 Certified)
	Contrast Ratio (Static)	1000:1
	Contrast Ratio (HDR)	1000:1
	Pixel Pitch	0.216 mm
	Pixels Per Inch (PPI)	174 PPI
	Backlight Lamp Life Minimum (To Half Brightness - In Hours)	30,000
	Backlight Type	Edge-lit
	Screen Treatment	Anti-glare
	Hardness	3H
	Haze	25%
	Response Time (Typical)	14 ms
	Horizontal Viewing Angle (Typical Cr>10)	178°
	Vertical Viewing Angle (Typical Cr>10)	178°
	Panel Active Area Metric (Width)	552.96 mm
	Panel Active Area Metric (Height)	311.04 mm
	Flicker Free	Yes (SDR mode only)
NOTE: Performance Specifications Represent The Typical Specifications Provided By HP's Component Manufacturers; Actual Performance May Vary Either Higher Or Lower.		
HP-applied uniformity compensation to each Z25xs G3 display, which brings the typical uniform peak luminance down to 266 cd/m ² from a 400 cd/m ² native peak brightness. Display supports luminance calibration up to 266 cd/m ² , reserving any luminance headroom for panel aging compensation.		
Color Management	Factory Color Calibrated	Yes (Delta E <=2)
	Calibrated Color Presets	Design for web, Design for print, Photography, HD video (Pantone Validated)
	User Calibration Support	Yes, via HP Display Center software (Windows or macOS)
	Default Color Temperature	Photography (P3 D65)
	sRGB	99%
	P3 D65	95%
Monitor Specifications	Bezel	4-sided Micro Edge
	Color	(Head) Turbo Silver ; (Stand) Turbo Silver
	Tilt	-5 to +20°
	Swivel	±45°
	Pivot	±90
	Height Adjust Range	150 mm
	VESA Mounting	100 mm x 100 mm (bracket included)
	Security Lock Ready	Standard Security Lock Slot
	Detachable Stand	Yes
	Warranty	3/3/0 for LA, NA, EMEA, APJ; (3/3/3 in select APJ Countries)
	Low Blue Light	Yes (TÜV certified)
	Zero Bright Dot Warranty	Yes
	Display Software	HP Display Center

Technical Specifications


	On Screen Display	Brightness +, Color, Image, Input, Power, Menu, Management, Information, Exit
	User-Assignable Function Buttons:	Yes, 4 buttons
	Native Resolution	QHD (2560 x 1440)
	NOTE: Apply to high resolution and/or high frame rate displays only. CONFIRM WITH EPM whether disclaimer applies.	
	Maximum Resolution	QHD (2560 x 1440) 640 x 480 @60Hz 720 x 400 @70Hz 800 x 600 @60Hz 1024 x 768 @60Hz 1280 x 720 @60Hz 1280 x 800 @60 Hz 1280 x 1024@60Hz 1440 x 900 @60Hz 1600 x 900 @60Hz 1680 x 1050 @60Hz 1920 x 1080 @60Hz 1920 x 1200 @60Hz 2560 x 1440 @60Hz
	Preset Graphic Modes/Supported Resolutions	
	Minimum Vertical Scan Rate	50 Hz
	Maximum Vertical Scan Rate	60 Hz
	Minimum Horizontal Scan Rate	30.0 kHz
	Maximum Horizontal Scan Rate	95.0 kHz
	Maximum Pixel Clock	300.0 MHz
	User Programmable Modes	Yes
	Languages	10 (English, Spanish, German, French, Italian, Netherlands, Portuguese, Japanese, T-Chinese and S-Chinese)
Connector Types	DisplayPort™	1 DisplayPort™ 1.4
	DisplayPort™ Out	1 DisplayPort™ 1.4
	HDMI	1 HDMI 2.0
	HDCP	Yes, DisplayPort and HDMI
	USB Type-C™ Video Input	1 USB Type-C™ (DP Alt Mode 1.4, power delivery up to 100W)
	USB Type-C™ Data	1 USB Type-C™ (Data only, power delivery up to 15W)
	USB- A	3 USB-A 3.2 Gen 1
Special Features	Picture-In-Picture, Picture-By-Picture	Yes
	DaisyChain/DisplayPort Multi stream Transport (MST)	Yes
	User Updateable Firmware	Yes
Power & Operating Specs	Power Supply	Internal
	Power Source	100 – 240 VAC 50/60 Hz
	Power Consumption- Maximum	205 W
	Energy Saving/Standby Mode	0.5 W
	Power Consumption- Typical	35 W
Operating Conditions	Operating Temperature - Celsius	5° – 35°C
	Operating Temperature - Fahrenheit	41° – 95°F
	Non-Operating Temperature - Celsius	-40° – 65°C
	Non-Operating Temperature - Fahrenheit	-40° – 149°F
	Operating Humidity	20 – 80% Relative Humidity (non-condensing)
	Non-Operating Humidity	5 – 95%

Technical Specifications

	Operating Altitude	0 – 5,000 m (16,400 ft.)
	Non-operating Altitude	0 – 12.192 m (40,000 ft.)
Environmental Features and Certifications	Mercury-free LED display backlighting	Yes
	Arsenic-Free Display Glass	Yes
	Low Halogen	Yes
	Agency Approvals and Certifications	WW application CE,CB,KC/KCC/NOM/PSB/ICE/TUV-S/ISO 9241-307/ EAC/ GS/BIS/cTUVus/Low Blue Light/UAE/Ukraine /CSA/PSB/ISC/CCC/CEL/CECP/SEPA/TCO/TCO Certified Edge/Energy Star/ERP ISC/VCCI/FCC/BSMI/WEEE
	Energy Star® Certified	Yes
	EPEAT® Registered	Yes
	Regions Need To Verify By Country	Yes
	China Energy Label	CEL Grade 1
	TCO Certified Edge	Yes
	TCO Certified	Yes
	Smartway Transport Partnership - NA Only	Yes

External power supplies, power cords, cables and peripherals are not Low Halogen. Service parts obtained after purchase may not be Low Halogen.

NOTE: DisplayPort™ and the DisplayPort™ logo are trademarks owned by the Video Electronics Standards Association (VESA®) in the United States and other countries.

EU Energy Efficiency Class (ERP Lot-5)	On-mode Power Consumption	23W	
	ErP LOTS Energy Efficiency Class		
Contains Recycled Plastics	Contains Recycled Plastics	ABS 85%	
	Recyclable Packaging (Box, packing materials)	100% recyclable packaging.	
Unit Product/Package Specifications	Product Dimensions (Unpacked with stand) (W x D x H)	56.9 x 20.5 x 51.8 cm	22.4 x 8.1 x 20.4 in
	Product Dimensions (Packed) (W x D x H)	65.5 x 14.9 x 40.0 cm	25.8 x 5.9 x 15.7 in
	Display Head Dimensions (Unpacked without stand) (W x D x H)	56.9 x 4.6 x 33.3 cm	22.4 x 1.8 x 13.1 in
	Base Area Footprint (w x d mm)	24.6 x 20.5 mm	9.7 x 8.1 in
	Product Weight (Unpacked with stand)	6.2 kg	13.7 lb
	Product Weight (Packed)	9.2 kg	20.3 lb
	Product Weight (Head Only)	4.6 kg	10.1 lb

Technical Specifications

What's in the box?

Monitor assembly
Documentation kit
HDMI2.0 Cable (1.8m)
DP1.4 Cable (1.8m)
USB3.2 Gen2 Type C to C (1m)
USB3.1 Gen1 Type C to A (1.8m)
Power cable
VESA Adapter
Cable Holder

**User Guide and
Warranty Languages****User Guide Languages**

English, Arabic, S. Chinese, T. Chinese, Czech, Danish, Dutch, Finnish, French, German, Greek, Hungarian, Italian, Japanese, Kazakh, Korean, Norwegian, Polish, Brazilian Portuguese, Russian, Slovenian, Spanish, Swedish and Turkish.

Warranty Languages

English, Arabic, S. Chinese, T. Chinese, Czech, Danish, Dutch, Finnish, French, German, Greek, Hungarian, Italian, Japanese, Kazakh, Korean, Norwegian, Polish, Brazilian Portuguese, Russian, Slovenian, Spanish, Swedish and Turkish.

Technical Specifications

Copyright © 2022 HP Development Company, L.P.

The information contained herein is subject to change without notice. The only warranties for HP products are set forth in the express limited warranty statements accompanying such products. Nothing herein should be construed as constituting an additional warranty. HP shall not be liable for technical or editorial errors or omissions contained herein.

Microsoft and Windows are registered trademarks or trademarks of Microsoft Corporation in the U.S. and/or other countries. ENERGY STAR is a registered trademark owned by the U.S. Environmental Protection Agency.

Summary

Change Log

Change Log			
	V1 to V2		Energy Efficiency Class
April 16, 2021	V2 to V3	Update	VESA Mounting Specs
May 4, 2021	V3 to V4	Update	Energy Efficiency Class
January 10, 2022	V4 to V5	Update	VESA Mounting, Power and Operating Specs
February 8, 2023	V5 to V6	Update	Energy Efficiency Class section
	V6 to V7		